

Becco Bollard

Design: Grønlund & KSA Design



BECCO is born with LED and many necessary components are integrated parts of the luminaire design. The light source is not visible, and the indirect, non-glaring light is spread by means of the arched roof plate.

The screen is cast in long-life polycarbonate with outer and inner layer of acrylate, which makes it extremely UV resistant. Other top parts in aluminium. The bollard is made of hot-dipped galvanised steel. Standard colours are black, graphite or silver grey. The bollard is available without coating.

Variants:

Becco Park

Becco Bollard

Finish:

Standard colours are black, graphite grey, and silver grey. The bollard in galvanised steel is available without coating, in which case the top parts are painted silver grey. Becco is ideal for special colours in order to fit into other colours characterising a local area.

Lamp type:

LED

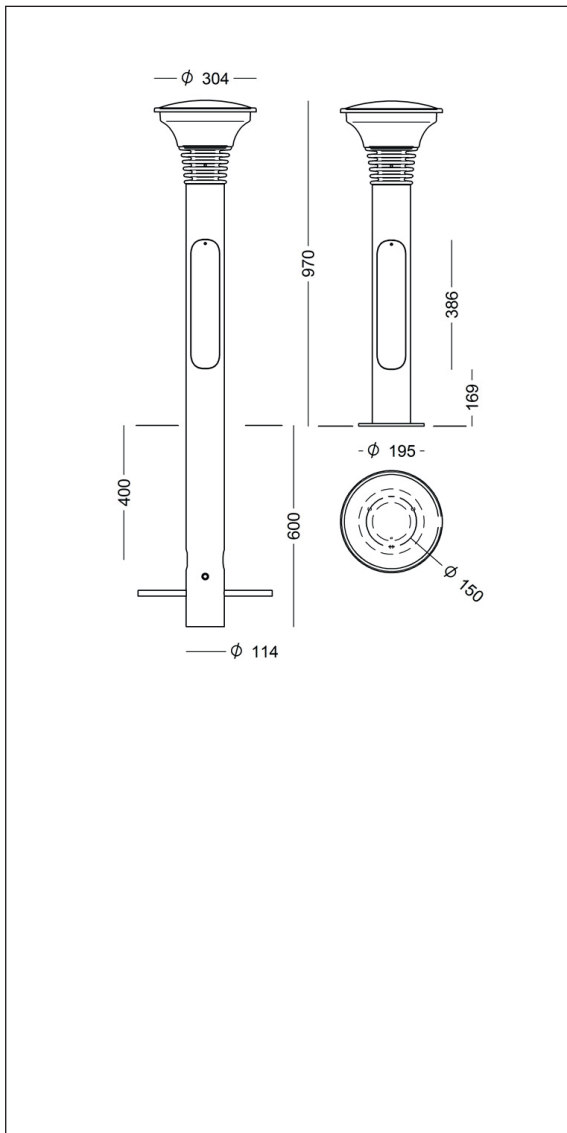


FOCUS-LIGHTING

Find our sales partner in your country under Contacts at www.focus-lighting.dk

Becco Bollard

Design: Grønlund & KSA Design



Luminaire specification:

Material:	Top part in aluminium, bollard in galvanised steel
Finish:	graphite grey: YW355F silver grey: Y2370I black: Noir 900 Sablé SN351F The galvanised bollard is available without coating.
Screen:	Clear long-life polycarbonate
Mounting:	Rooted or flanged base
Connection:	Max three cables, 5 x 16 mm ²
Classification:	IP65, class II
Impact resistance:	IK10
Weight:	ca 10 kg
Lamp type:	LED

LED and driver specification:

LED:	Bridgelux V8
Operational life:	min 100,000 hours at ta max 25°C L80B10
Total consumption:	9 or 12 W
Colour temperature:	2700, 3000, or 4000 Kelvin
Colour rendering:	min 90 Ra
Output ratio:	58 per cent
Driver:	Helvar 350 or 500 mA
Operational life:	min 50,000 hours Dimmable upon request

Product data:

BECCO BOLLARD								
Item No.	Mounting		LED/Driver					
7811-	rooted base		9 W Bridgelux V8, 350 mA					
7821-	flanged base		9 W Bridgelux V8, 350 mA					
7812-	rooted base		12 W Bridgelux V8, 500 mA					
7822-	flanged base		12 W Bridgelux V8, 500 mA					
Select colour, colour temperature, and dimming in the table.								
Combine with:	Colour		Colour temperature		Dimming		Protection class	
	4	graphite grey	927	2700 K, 90 Ra	V	1-10 V	empty	class II
	9	silver grey	930	3000 K, 90 Ra	D	Dali	J	class I
	66	black noir 900	940	4000 K, 90 Ra				
	7	silver/galvanised						
Example:	7811-4930 = Becco Bollard, rooted base, 9 W LED, graphite grey, 3000 K, 90 Ra							