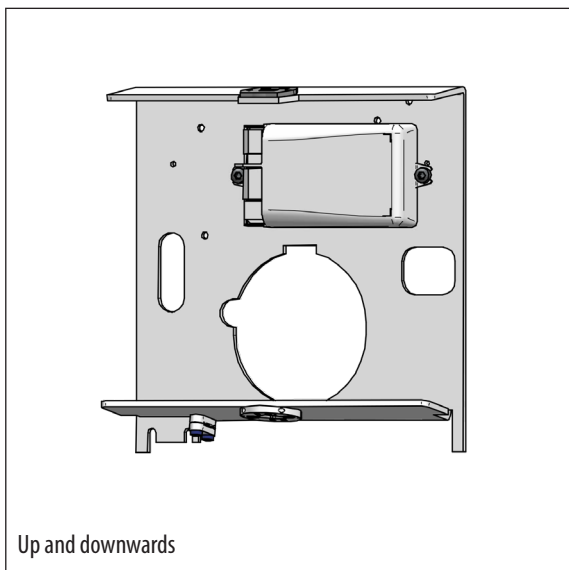
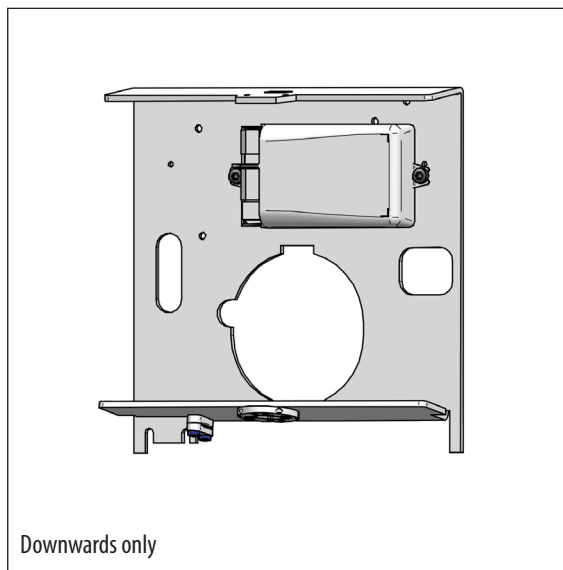


Square 270 - LED modules



Up and downwards



Downwards only



Complete LED module for easy and efficient refurbishment of existing Square 270 fixtures, interior and exterior.

LED and driver specification:

LED type: Bridgelux Vero 10 + V6
 Total consumption:
 Up and downwards: 15 or 20 W
 Downwards: 8 or 12 W
 Service life: 100,000 hours at t_{max} 25°, L90B10
 Colour temperature: 2700, 3000, or 4000 K, energy eff. class F
 Colour rendering: min 90 Ra
 Colour accuracy: 3 steps SDCM
 Driver: LED driver, dimming optional
 Service life: min 100,000 hours

Exchange of lamp:

Remove the front by loosening the screw at the bottom of the wall box. Exchange the module. Models before 2015 to be ordered with wall box. [See mounting instructions here.](#)

We include a blank lable in the consignment. Write the old item number on the lable and attach it inside the luminaire.

Variants:

LED modules for Square 270										
Item No.	Lamp type		Select colour temperature and other options in the table below.							
1916-	15 W Bridgelux Vero 10 + V6, 350 mA, up and downwards - with wall box - for models before 2015									
1954-	20 W Bridgelux Vero 10 + V6, 500 mA, up and downwards - with wall box - for models before 2015									
1915-	15 W Bridgelux Vero 10 + V6, 350 mA, up and downwards - without wall box - for models after 2015									
1978-	20 W Bridgelux Vero 10 + V6, 500 mA, up and downwards - without wall box - for models after 2015									
1977-	8 W Bridgelux Vero 10, 250 mA, downwards only									
1950-	12 W Bridgelux Vero 10, 350 mA, downwards only									
Combine with:	Colour temperature		Dimming		Protection class					
	927	2700 K, 90 Ra	V	1-10 V	empty	class I				
	930	3000 K, 90 Ra	D	Dali	K	class II				
	940	4000 K, 90 Ra	R	bluetooth sensor						
The above LED modules fit the following variants (X stands for colour code):										
Interior	4010, 4824 (up and downwards), 4013, 4825 (downwards)									
Exterior	6205X, 6305X, 6805X, 6003, 6824, 6827 (up and downwards), 6007, 6825 (downwards)									