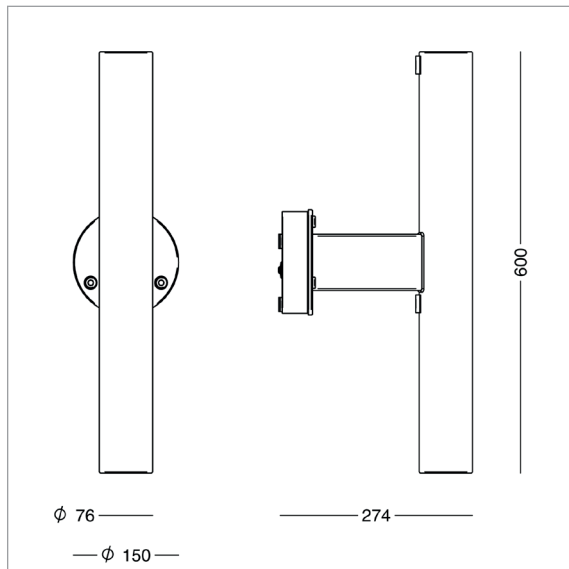
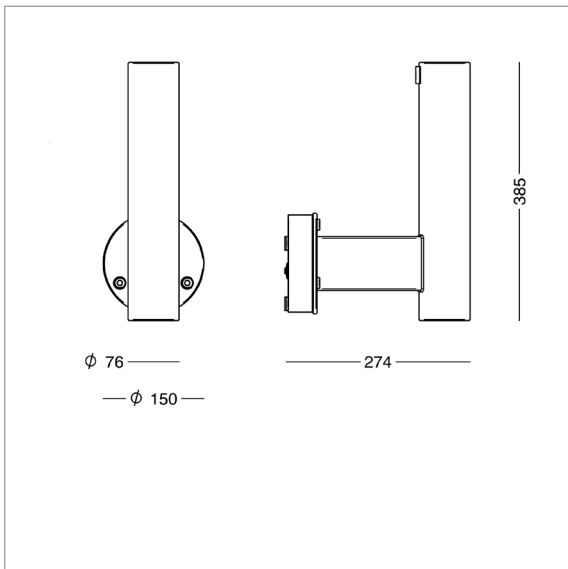


Turn - wall mounting

Design: FRIIS & MOLTKE Design



Product codes:

Turn - arms for wall mount	Select colour in the table below.	
Item No.		
8011-	Arm, aluminium, for one fixture. Arm and fixture will be assembled by Focus Lighting.	
8012-	Arm, aluminium, for two fixtures. Arm and fixtures will be assembled by Focus Lighting.	
Combine with:	Colour	
	4	graphite grey
	9	silver grey
	17	corten brown
	66	black noir 900