

Way - Top Entry

Design: AART Designers



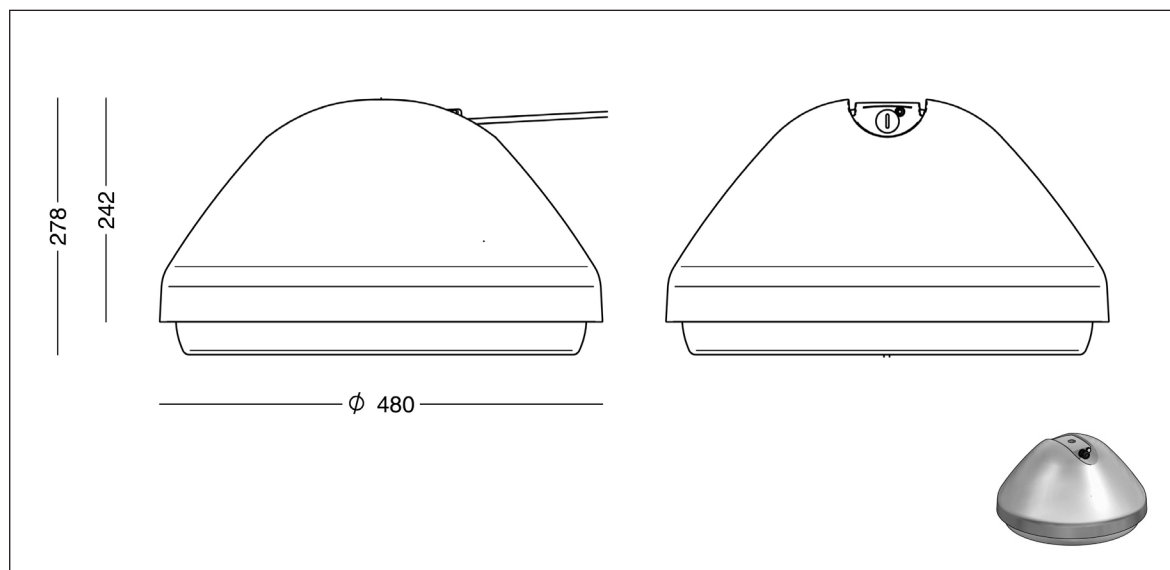
WAY is a versatile luminaire in our range of street lighting. It is designed the Nordic way to avoid light pollution and discomfort glare.

The luminaire is available for top or side entry. It is made in cast aluminium with shade in clear, impact resistant PMMA (acrylate). The shade is parallel to the ground but has a protuberant, frosted edge, which will enhance optical guidance. Due to the unique design of the shade, discomfort glare is minimized.

WAY is available with circular or square LED boards with lens types for various applications. The luminaire fulfills European standards for street lighting.

Way - top entry - circular LED - Low / High

Design: AART Designers



Luminaire specification:

Material:	Cast aluminium
Finish:	Raw anodized Graphite grey: YW355F Silver grey: Y2370I Corten brown: YX355F Black: Noir 900 Sablé, SN351F
Shade:	Clear, impact-resistant PMMA, coated on the edge
Mounting:	Top entry: G3/4" threaded pipe
Connection:	The luminaire is delivered with lead: 2 leads at 2 m, 1 x 2.5 mm ² or 1 lead at 10 m, 2 x 1 mm ²
Classification:	IP66, class II, class I optional
Impact resistance:	IK08
Corrosion class:	C4, C5 optional
Weight:	max 11 kg
Wind sweeping area:	0.11 m ² (laterally)

Driver specification:

Driver, low lumen: Xitanium Full Xi FP 75 W 0.2-0.7 A, program.
Inrush current: max 46 A (50% after 250 µs)

Driver, high lumen: Xitanium Full Xi FP 110 W 0.3-1.0 A, program.
Inrush current: max 47 A (50% after 250 µs)

Operational input voltage: AC: 80-264 Vac, DC: 168-275 Vdc

Nominal voltage,: AC: 220-240 Vac, DC: 186-250 Vdc

Nominal input frequency: 50-60 Hz

Operational input frequency: 45-66 Hz

Max preprotection: 16 A

Surge protection: L/N-GND: 10 kV, (SR driver: 8 kV)

L-N: 6 kV

Operational life: min 100,000 hours

Dimming/control: 5 steps dimming within the lumen intervals,

Alternatively: DALI-2 (4/5-conductor cable), LineSwitch, or Zhaga book 18 socket, D4i

LED specification:

Circular LED: Ø240, 64 diodes, CAT lenses
Operational life: min. 100,000 hours at ta max 25°, L80B10
Constant lumen output

Temperature range: -30 to +35° C

Colour temperature: 3000 or 4000 Kelvin

Colour rendering: min 80 Ra

Colour accuracy: 4 steps SDCM

Luminous flux: The luminous flux range quoted below is from the LED light source. Apply output ratio in order to calculate luminous flux out of the luminaire.

Low lumen: 75 W driver
LED-lumen, 80 Ra: 3000K: 850-6700 lm, energy eff class E
4000K: 900-7150 lm, energy eff class E

High lumen: 110 W driver
LED-lumen, 80 Ra: 3000K: 1110-9250 lm, energy eff class E
4000K: 1200-9950 lm, energy eff class E

Output ratio: 91 per cent

Way - top entry - product codes

Design: AART Designers



WAY top entry
Example product code:
9801-48402: luminaire, graphite grey



WAY top entry, Zhaga socket
Example product code:
9801-48402R: luminaire with Zhaga socket, graphite grey



WAY top entry, single wire hanger
Example product code:
9801-48402: luminaire, graphite grey
1715-0: wire hanger, stainless steel





WAY top entry, Zhaga socket, single wire hanger
Example product code:
9801-48402R: luminaire with Zhaga socket, graphite grey
1716-0: wire hanger, stainless steel



WAY top entry, Zhaga socket, fittings for suspension in the bracket
Example product code:
9801-48402R: luminaire with Zhaga socket, graphite grey
1717-0: fittings for G3/4" thread

Product codes:

WAY for top entry, circular LED board with CAT lenses										
Item No.	Lamp type	Select colour, colour temperature etc. in the table below.								
9801-	LED Ø240, Low lumen, programmable									
9802-	LED Ø240, High lumen, programmable									
Combine with:	Colour	Colour temperature		Lead		Dimming/control		Protection class		
	01 raw anodized	830	3000 K, 80 Ra	2	2 x 2 m 1x2.5 mm2	empty	programmable *)	empty	class II	
	4 graphite grey	840	4000 K, 80 Ra	10	1 x 10 m 2x1 mm2	D	DALI-2	J	class I	
	9 silver grey					F	Line switch			
	17 corten brown					R	socket incl. SR driver, Zhaga book 18, upwards			
	66 noir 900					RC	socket as above, City Touch			
						S	socket incl. SR driver, Zhaga book 18, downwards			
						RS	socket incl. SR driver, Zhaga book 18, up/down			
	Corrosion protection									
	C5	C5 coating	In the case of extra corrosion protection, add C5 to the colour code; example: 9801-9C5830							
Example:	9801-98302 = WAY for top entry, circular board with CAT lenses, Low lumen, silver grey, 3000 K 80 Ra, 2 m lead									
*) programmable	When ordering, please state luminous flux as the required LED-lumen + dimming level + dimming period									
Example, profile:	9000 lm 50% 22-06 (fifty per cent dimming from 10 pm to 6 am)									
Options:										
1715-0	Hanger for suspension in single wire 									
1716-0	Hanger for suspension in single wire, Way with SR socket 									
1717-0	Fittings for top entry of Way with SR socket, G3/4" thread 