

Way - Showing the Way

Design: AART Designers



WAY is new in our range of street luminaires and is designed the Nordic way to avoid light pollution and discomfort glare.

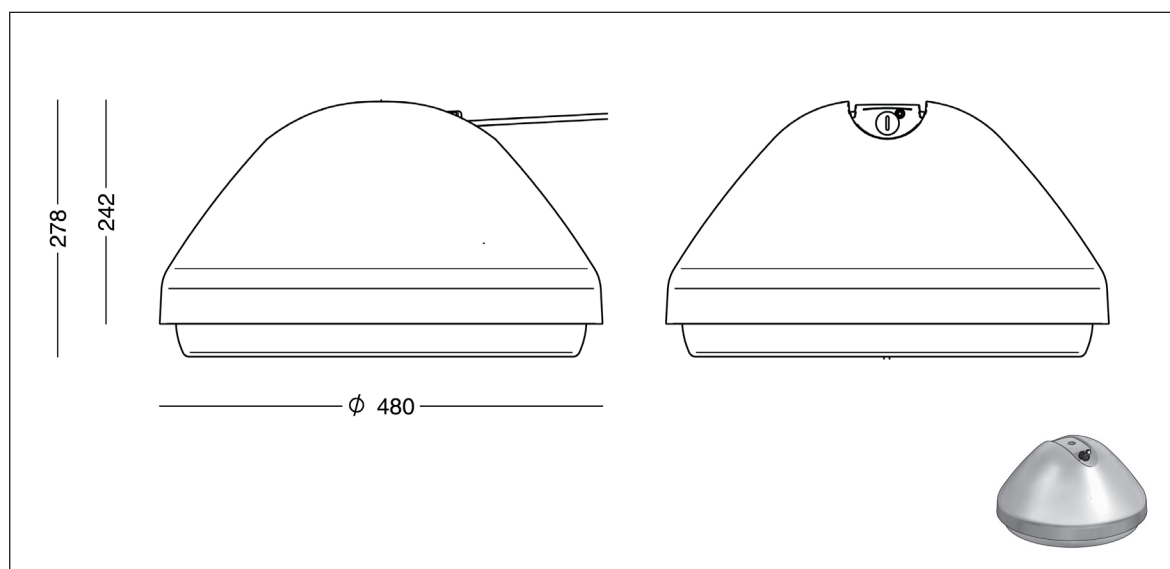
The flexible luminaire is available for top or side entry. It is made in cast aluminium with shade in clear, impact resistant PMMA (acrylate). The shade is parallel to the ground but has a protuberant, frosted edge, which will enhance optical guidance. Due to the unique design of the shade, discomfort glare is minimized.

WAY is available with circular or square LED boards with lens types for various applications. The luminaire fulfills European standards for street lighting.

WAY is available as park luminaire with round board without lenses. In this case a diffuser is included to ensure soft and homogeneous light.

Way - top entry - circular LED - Low / High

Design: AART Designers



Luminaire specification:

Material:	Cast aluminium
Finish:	Graphite grey: YW355F Silver grey: Y2370I Corten brown: YX355F Black: Noir 900 Sablé, SN351F
Shade:	Clear, impact-resistant PMMA, coated on the edge
Mounting:	Top entry: G3/4" threaded pipe
Connection:	The luminaire is delivered with lead: 2 leads at 2 m, 1 x 2.5 mm ² or 1 lead at 10 m, 2 x 1 mm ²
Classification:	IP66, class II
Impact resistance:	IK08
Corrosion class:	C4
Weight:	max 11 kg
Wind sweeping area:	0.11 m ² (laterally)

Driver specification:

Driver, low lumen:	Xitanium Full Xi FP 75 W 0.2-0.7 A, programmable
Inrush current:	max 46 A (50% after 250 µs)
Driver, high lumen:	Xitanium Full Xi FP 150 W 0.3-1.0 A, programmable
Inrush current:	max 53 A (50% after 300 µs)

LED specification:

Circular LED:	Ø240, 64 diodes, CAT lenses
Low lumen:	75 W driver
Luminous flux, 80 Ra:	3000K: 850-6700 lm, CLO 4000K: 900-7150 lm, CLO
High lumen:	150 W driver
Luminous flux, 80 Ra:	3000K: 1110-9250 lm, CLO 4000K: 1200-9950 lm, CLO
Operational life:	min. 100,000 hours at ta max 25°, L80B10
Temperature range:	-30 to +35° C
Colour temperature:	3000 or 4000 Kelvin
Colour rendering:	min 80 Ra
Colour accuracy:	4 steps SDCM
Output ratio:	91 per cent

Driver specification - continued:

Operational input voltage:	150-264 Vac
Nominal voltage, AC:	220-240 Vac
Nominal voltage, DC:	186-250 Vdc
Operational input voltage:	165-275 Vdc
Nominal input frequency:	50-60 Hz
Operational input frequency:	45-66 Hz
Max preprotection:	16 A
Surge protection:	L/N-GND: 10 kV, (SR driver: 8 kV) L-N: 6 kV
Operational life:	min 100,000 hours
Dimming/control:	5 steps dimming within the lumen intervals, DALI (4-conductor cable), Line switch, AmpDim
Alternatively:	DALI via Zhaga Book 18 socket

Way - top entry - product codes

Design: AART Designers



WAY top entry
Example product code:
9801-48402: luminaire, graphite grey



WAY top entry, SR socket
Example product code:
9801-48402R: luminaire with SR socket, graphite grey



WAY top entry, single wire hanger
Example product code:
9801-48402: luminaire, graphite grey
1715-0: wire hanger, stainless steel





WAY top entry, SR socket, single wire hanger
Example product code:
9801-48402R: luminaire with SR socket, graphite grey
1716-0: wire hanger, stainless steel



WAY top entry, SR socket, fittings for suspension in SR socket
Example product code:
9801-48402R: luminaire with SR socket, graphite grey
1717-0: fittings for G3/4" thread

Product codes:

WAY for top entry, circular LED board with CAT lenses										
Item No.	Lamp type	Select colour, colour temperature etc. in the table below.								
9801-	LED Ø240, Low lumen, programmable									
9802-	LED Ø240, High lumen, programmable									
Combine with:	Colour	Colour temperature		Lead		Dimming/control		Protection class		
	4 graphite grey	830	3000 K, 80 Ra	2	2 x 2 m 1x2.5 mm2	empty	programmable	empty	class II	
	9 silver grey	840	4000 K, 80 Ra	10	1 x 10 m 2x1 mm2	D	Dali	J	class I	
	17 corten brown					F	phase (Line switch)			
	66 noir 900					R	socket incl. SR driver, Zhaga book 18, upwards			
						RC	socket as above, City Touch			
						S	socket incl. SR driver, Zhaga book 18, downwards			
Example:	9801-98302 = WAY for top entry, circular board with CAT lenses, Low lumen, silver grey, 3000 K 80 Ra, 2 m lead									
Options:										
1715-0	Hanger for suspension in single wire 									
1716-0	Hanger for suspension in single wire, Way with SR socket 									
1717-0	Fittings for top entry of Way with SR socket, G3/4" thread 