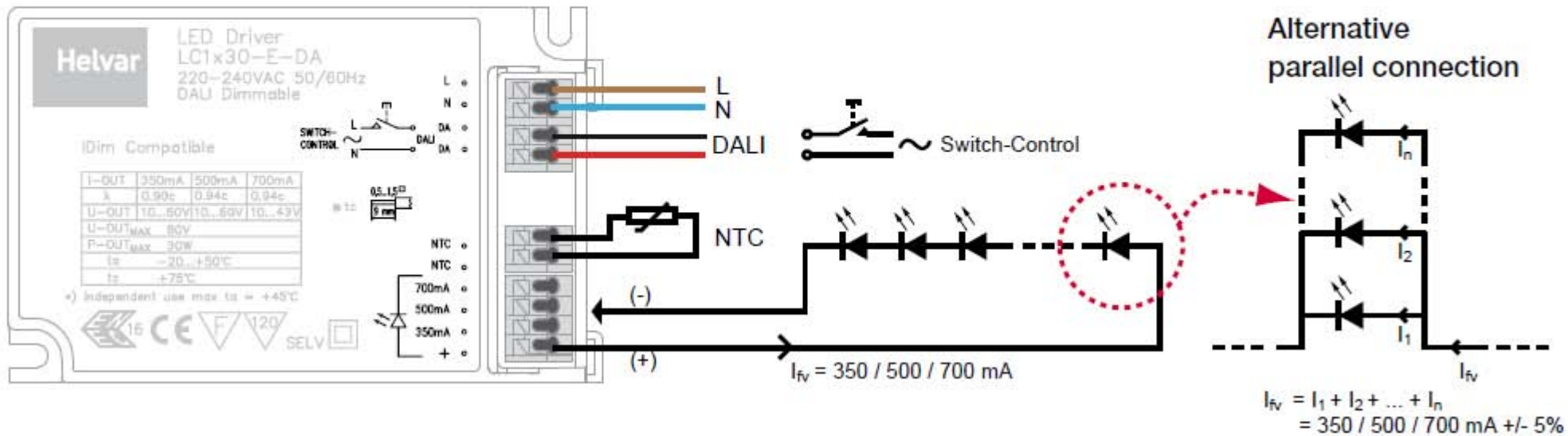


Connections



Switch-Control provides ON/OFF switching and UP/DOWN dimming functionality from one or more simple switches.
Switch-Control and DALI can not be connected to the iDim ballast at the same time.

Suitable switch:

- Automatic return type
- Mains rated

Connection:

- EL-iDim ballasts: To the DALI input
- Wire length: 25 m maximum, diagram A
25 - 200 m, use a capacitor (1 μ F, 275 V) diagram B
- Ballasts per switch: 50 (observe above)
- Ensure all ballasts and associated switches are connected to the same mains phase

Operation:

- **Switch off:** Short push of the switch (< 0.4 second)
- **Switch on:** Short push of the switch (< 0.4 second)
- EL-iDim ballasts will switch on to the last set level
- **Dimming:** Long push of the switch (> 0.5 second)
 - If lamps are off, the ballast dims up from minimum
 - If lamps are on, the ballast dims in the opposite direction to previously
 - The first dimming direction is dimming down

Correction of out of sequence operation:

- Switch the mains supply off and on, or...
- Long push (until all lamps are on), then a short push (all lamps off), then switch on

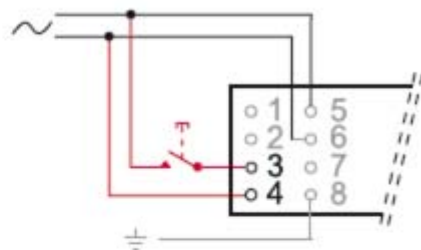
Compatibility:

Some ballasts manufacturers have functionality similar to Helvar Switch-Control. These methods are NOT COMPATIBLE with each other.

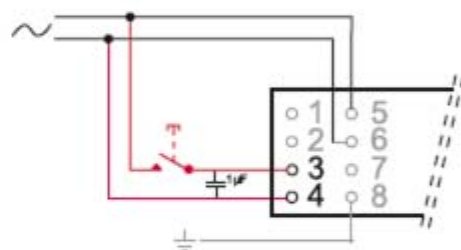
Connection

- To the DALI input

A) 0-25 m



B) 25-200 m



Power On to last level function from Switch-Control

Power On to last level function recalls the light level after mains break.

Power On to last level operation sequence:

Activation

- Activation is started with the **light switched ON** using the following sequence.
 - 1 x long switch (20 - 25 s)
 - 3 x short switch (90 - 360 ms)
 - 1 x long switch (20 - 25 s)
 Between the switches, approximately 2 seconds of delay is allowed.

Deactivation

- Deactivation is started with the **light switched OFF** (standby) using the following sequence.
 - 1 x long switch (20 - 25 s)
 - 3 x short switch (90 - 360 ms)
 - 1 x long switch (20 - 25 s)
 Between the switches, approximately 2 seconds of delay is allowed.