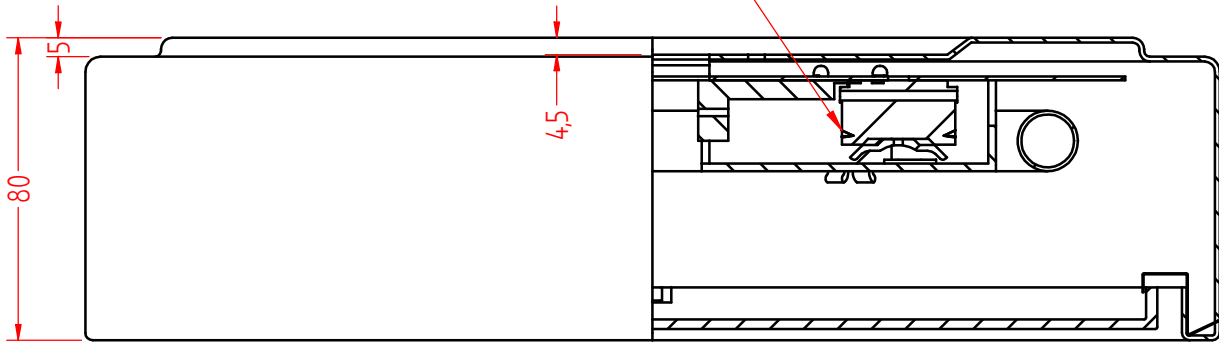
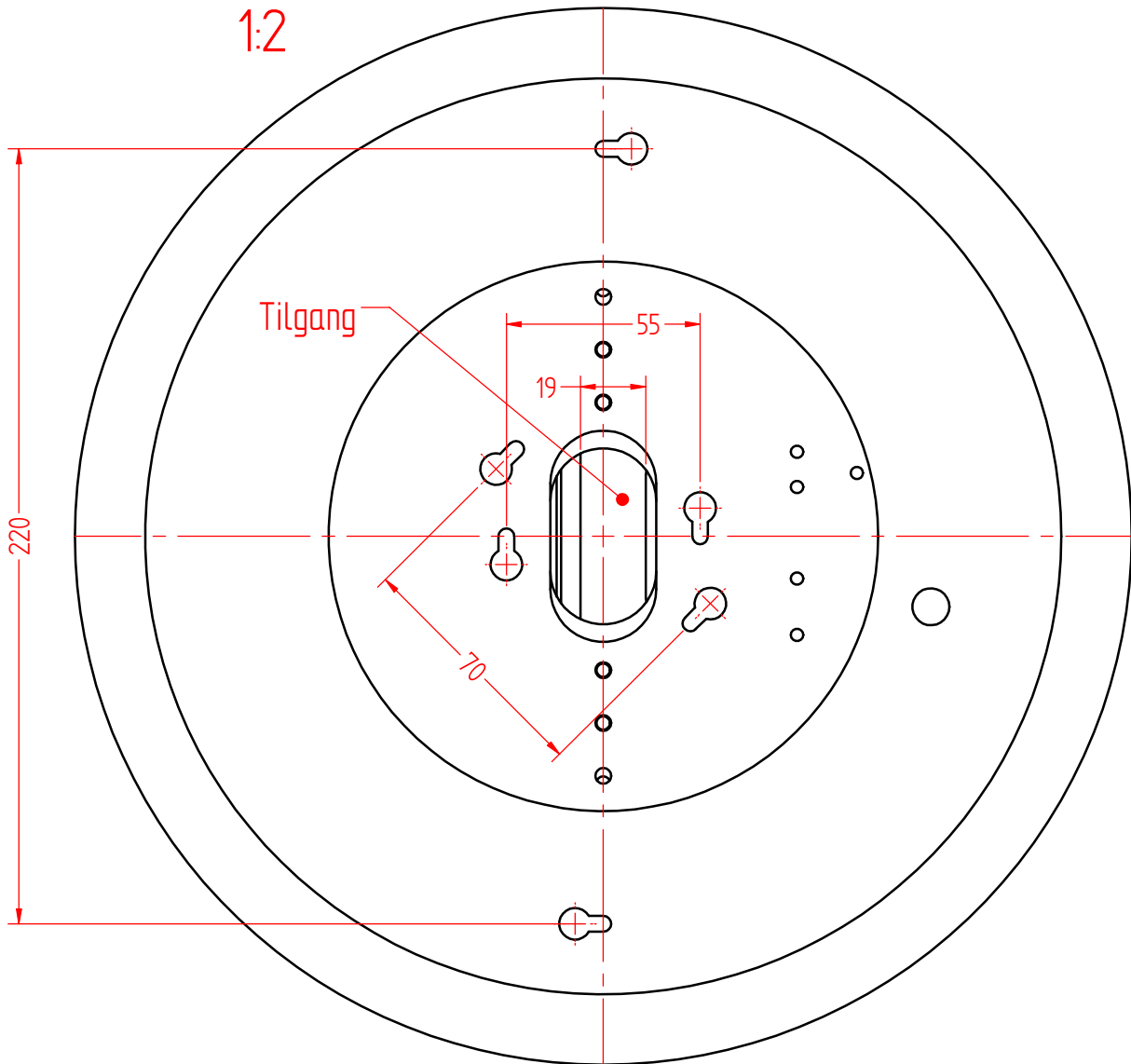




Tilslutning: skrueløs klemme 5x2,5 mm²
 Sløjfemulighed: max 2 stk. 1,5 mm²



1:2



REV.	DESCRIPTION	DATE	MADE BY																					
	Unless otherwise specified, the tolerances specified below must be applied:	DATE 07-03-08.	MADE BY D.C.																					
dim.	<table border="1"> <tr> <td>from</td> <td>0</td> <td>10</td> <td>30</td> <td>100</td> <td>300</td> <td>1000</td> </tr> <tr> <td>to</td> <td>10</td> <td>30</td> <td>100</td> <td>300</td> <td>1000</td> <td>-</td> </tr> <tr> <td>+/-</td> <td>0,1</td> <td>0,2</td> <td>0,3</td> <td>0,5</td> <td>0,8</td> <td>1,0</td> </tr> </table> for angles +/-0,2	from	0	10	30	100	300	1000	to	10	30	100	300	1000	-	+/-	0,1	0,2	0,3	0,5	0,8	1,0	SUBJECT FOCUS LIGHTING H+M Loft/Væg KOKKEDAL INDUSTRIPARK 40 DK - 2980 KOKKEDAL TLF 49 14 80 80 FAX 49 14 80 90	
from	0	10	30	100	300	1000																		
to	10	30	100	300	1000	-																		
+/-	0,1	0,2	0,3	0,5	0,8	1,0																		
ANY DISCLOSURE OF THIS DRAWING TO A THIRD PARTY IS SUBJECT TO THE APPROVAL OF FOCUS LIGHTING AS		DRAWING NO.	REVISION NO.																					