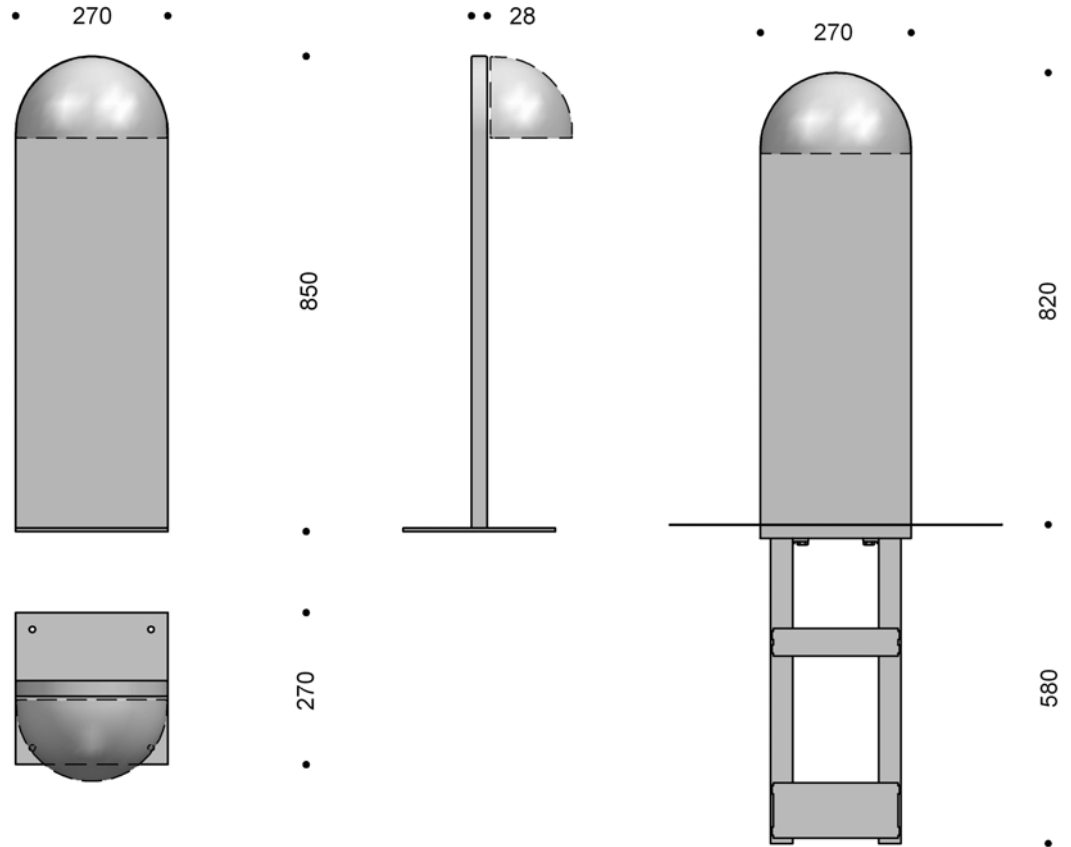


## Technical Data Bollard Q



Stand without fitting for the Quarto 270 and the Tema Buen.  
Single-sided illumination is standard. Double-sided upon request.  
Fitting(s) to be ordered separately.

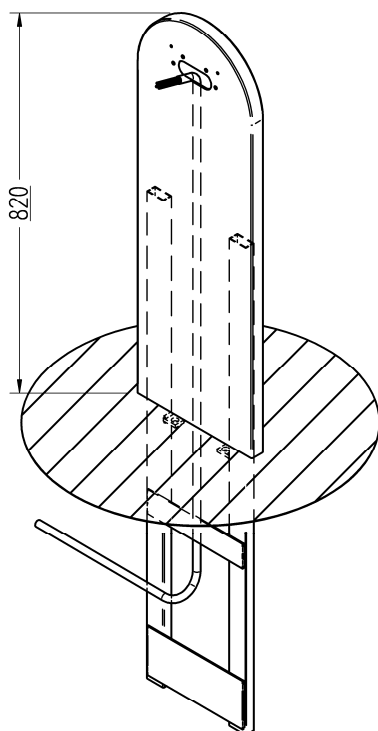
Material: Hot-dipped galvanised steel or copper  
Mounting: Embedment app. 60 cm by means of rooted base.  
Or flanged base for mounting on solid ground.  
Connection: In the fitting  
Weight: With rooted base: 15 kg  
With flanged base: 16.8 kg

**Rooted base:** 5703646 **70068** 0 Copper  
5703646 **70069** 7 Galvanised

**Flanged base:** 5703646 **70078** 9 Copper  
5703646 **70079** 6 Galvanised

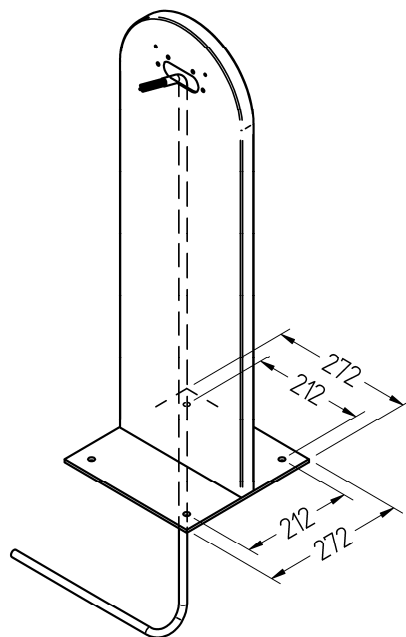
## Mounting instructions

**Bollard Q**  
Rooted base  
70068-70069



1. Embedment – app. 60 cm.
2. Draw the cable through the stand.
3. Mount and connect the fitting according to the instructions for Quarto 270.

**Bollard Q**  
Flanged base  
70078-70079



1. Draw the cable through the stand.
2. Mount the flanged base, four  $\text{Ø}11$  mm holes.
3. Mount and connect the fitting according to the instructions for Quarto 270.

